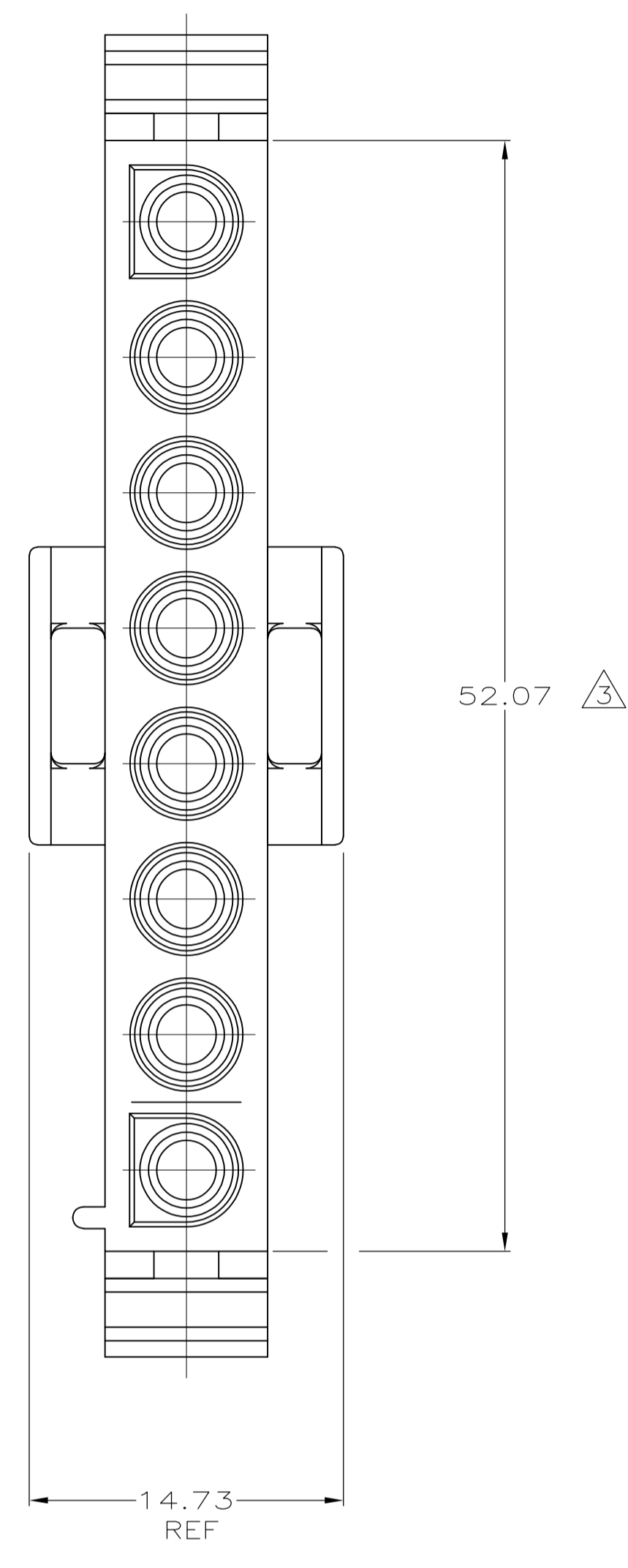
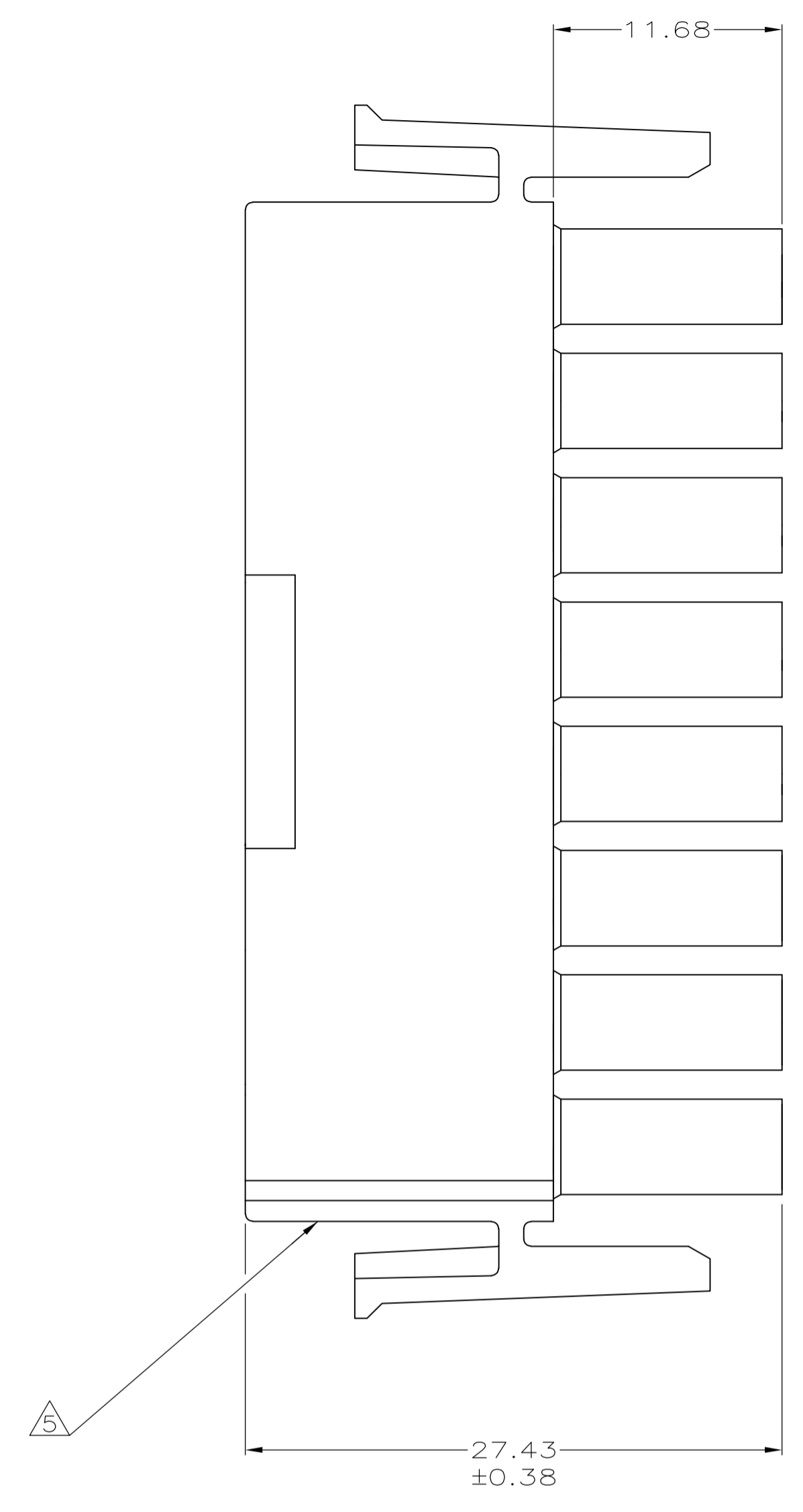
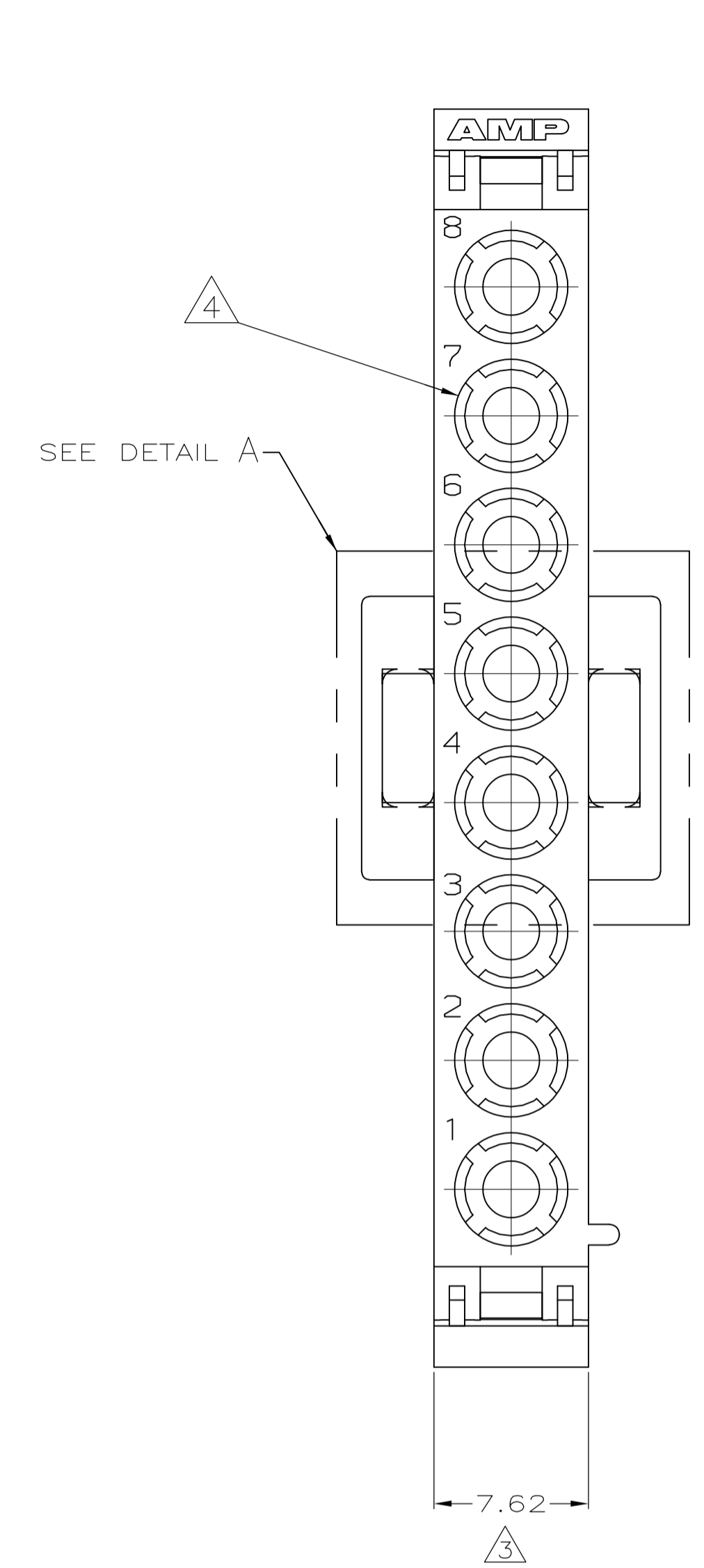
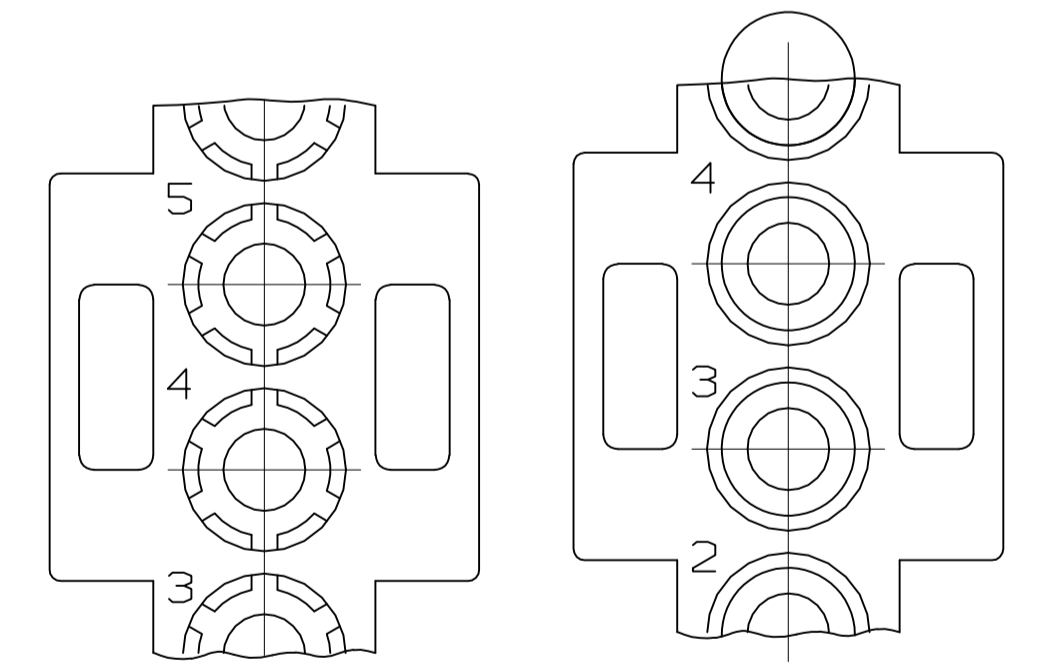


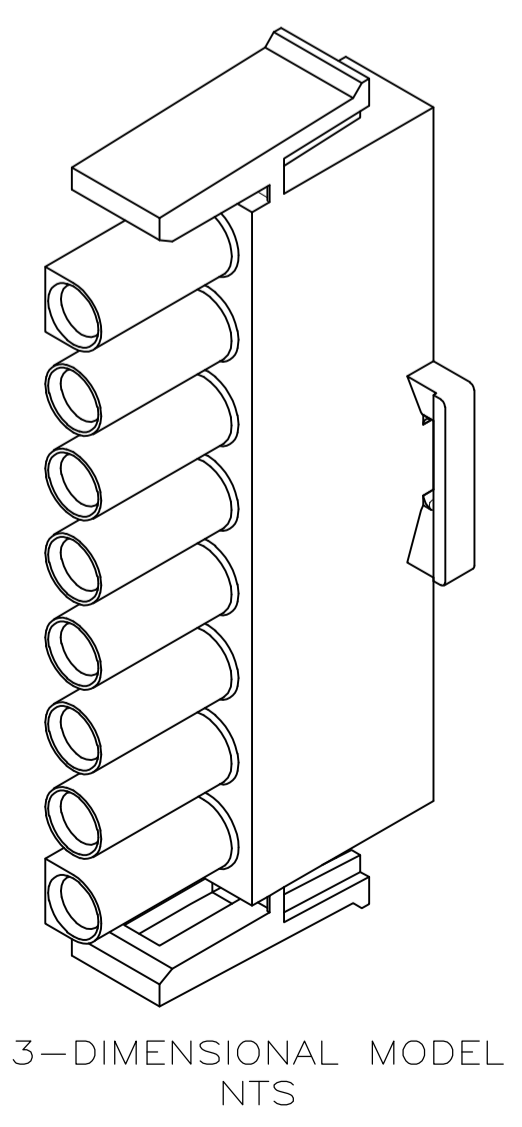
LOC	DIST	REVISIONS			
P	LTR	DESCRIPTION	DATE	OWN	APVD
CM	53	S1	REVISED PER ECO-11-004917	11MAR11	RK HMR
		S2	REVISED PER ECR-14-017307	02JAN15	AV DZ



- MATES WITH APPROPRIATE UNIVERSAL MATE-N-LOK™ CAP OR HEADER.
- SMALL NICKS ARE PERMITTED ON THE CIRCUIT TOWERS WHICH COULD INCREASE THE INITIAL HOUSING MATING FORCE BY UP TO 4.4 NEWTONS [1.0 LBS]. NO INDIVIDUAL NICKED TOWER SHALL INCREASE THIS FORCE BY OVER 2.2 NEWTONS [.5 LBS].
- DIMENSION INDICATED IS AS MOLDED. ADDITIONAL GROWTH DUE TO SUBSEQUENT MOISTURE ABSORPTION MAY OCCUR.
- FOUR RIBS EQUALLY SPACED, NO SPECIFIC ORIENTATION. NO RIBS OR SIX RIBS EQUALLY SPACED, NO SPECIFIC ORIENTATION, OPTIONAL.
- UNDERWRITERS RECOGNIZED COMPONENT LOGO AND CSA CERTIFICATION LOGO TO BE LOCATED ONCE EACH ON SIDE OF HOUSING.
- PRELIMINARY PART. NOT RELEASED FOR PRODUCTION.



DETAIL A  
OPTIONAL CONSTRUCTIONS



MM	IN
52.07	2.050
27.43	1.080
14.73	.580
11.68	.460
7.62	.300
0.38	.015
0.13	.005
MM	IN

CONVERSION TABLE

THIS DRAWING IS A CONTROLLED DOCUMENT.		DWN K. WHITAKER 2-28-92	RED	△ 640582-2
DIMENSIONS: MM(INCHES)		CHK R. SWING 2-28-92	WHITE	640582-1
TOLERANCES UNLESS OTHERWISE SPECIFIED:		APVD D. SELF 3-5-92	COLOR	PART NO
0 PLC ± -	1 PLC ± -	NAME	TE Connectivity	
2 PLC ± 0.15	3 PLC ± -	PRODUCT SPEC	PLUG, 8 CIRCUIT, UNIVERSAL MATE-N-LOK™	
4 PLC ± -	ANGLES ± 0° 30'	APPLICATION SPEC	108-1031	
MATERIAL NYLON,UL 94V-0		SIZE	CAGE CODE	DRAWING NO
FINISH -		RESTRICTED TO	A1	00779
WEIGHT -		SCALE	4:1	SHEET 1 OF 1
CUSTOMER DRAWING		REV	S2	